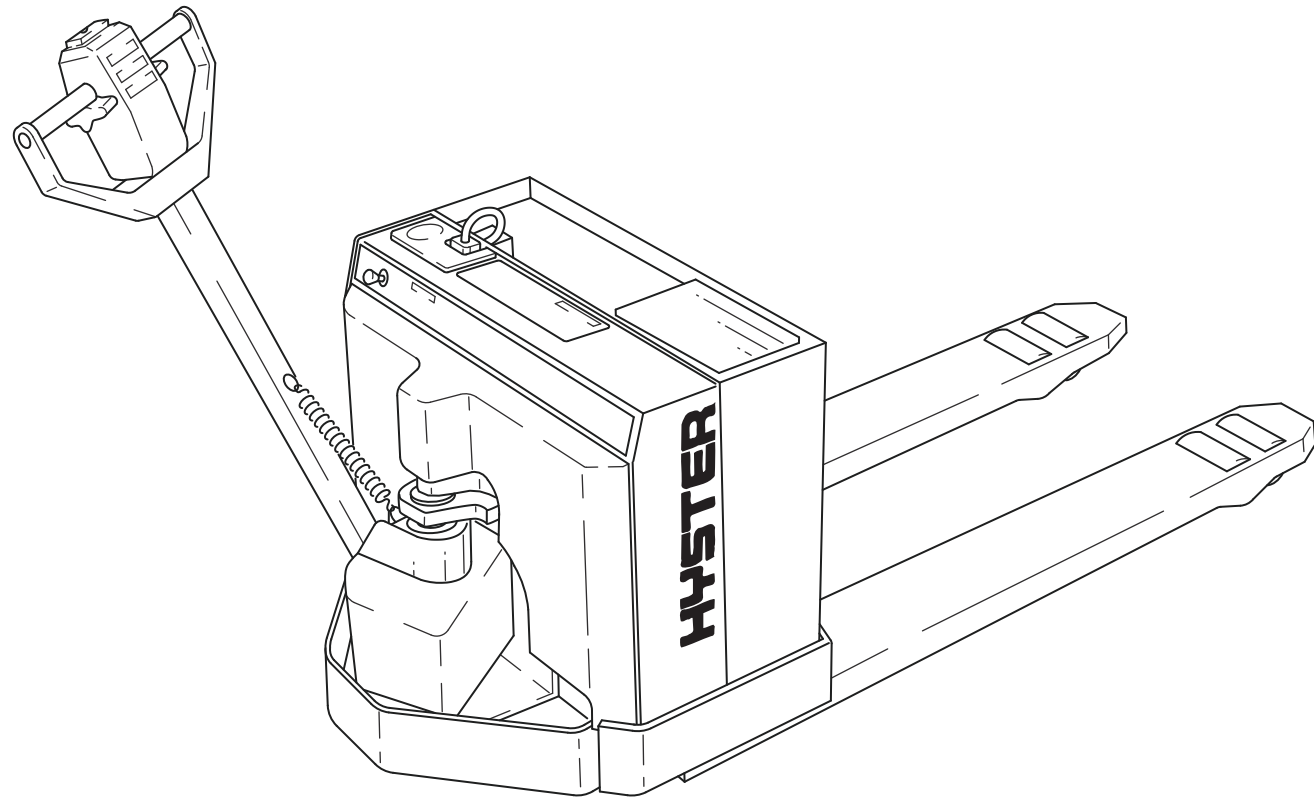


Replacement Parts for Hyster W 40 XL/W 40 XT



800-462-2370
Fax 800-366-5939
www.SuperStoresService.com

Model Nomenclature

Type of Truck

- B - Electric walkie-rider
- C - Electric walkie-center control
- E - Electric counterbalanced rider, cushioned tire
- J - Electric counterbalanced rider, pneumatic tire
- N - Electric narrow aisle truck
- R - Electric order picker
- V - Very narrow aisle
- W - Electric walkie

Indicates Capacity

Design Series

Truck Type - on Certain Electric Truck Models

- A - Straddle
- C - Center control
- H - Pneumatic
- L - Low level pallet
- R - Reach, or
- R - Rear stand drive
- S - Short wheelbase

W 40 A C

Note: Suffixes XL and XT represent design concepts, not nomenclature.

Content

<u>Quick Wheel Lookup</u>	4
<u>Electrical/Battery</u>	6
<u>Control Panel - Resistor</u>	8
<u>Control Panel - PMC</u>	10
<u>Drive Unit and Brake Assembly</u>	12
<u>Motors</u>	14
<u>Handle Assembly - PMC</u>	16
<u>Hydraulic</u>	18
<u>Frame & Undercarriage</u>	20

This booklet is not intended to replace the original manufacturer's Parts and Service Manual. Please follow Safety Procedures outlined in the manufacturer's publication.



Quick Wheel Lookup

Quick Wheel Lookup

OEM #	Wheel Type	Manuf.	Part #	Description	Wheel OD in/mm	Tread Width in/mm	Hub Width in/mm	Hub ID in/mm	Bearing OD in/mm	Bearing #	Material/ Color
HY 3005911	Load Wheel	Generic	GW 820	Poly Load Wheel-Single	3.250/83	4.500/114	4.500/114		1.574/40	6203z	Scotch, 95-A
HY 2308227	Drive Tire		SU 9x5x5-SF-P	Poly Drive Tire-Smooth Flat	9.00/229	5.00/127		5.00/127			
HY 2309963	Drive Tire		SU 9x5x5-SF-R	Rubber Drive Tire- Smooth Flat	9.00/229	5.00/127		5.00/127			Black
HY 2308186	Hub		HY 2308186	Drive Wheel Hub							

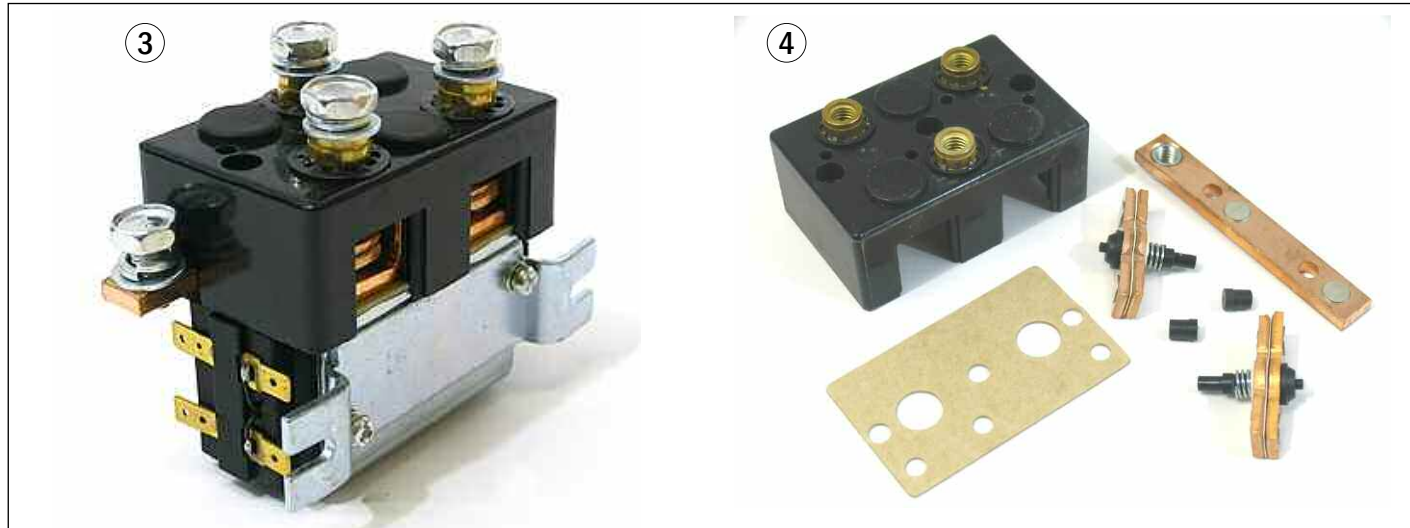
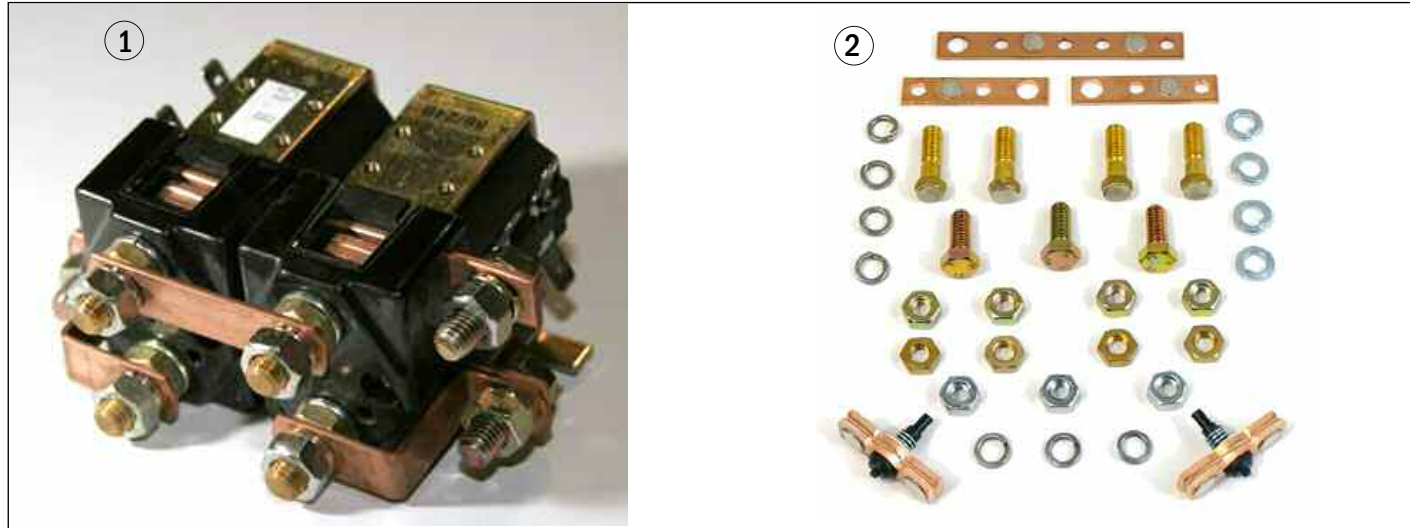
Electrical/Battery



Electrical/Battery

Item	Part No.	Description
1	HY 2036887	Battery charger, 15A, 120 AC
2	HY 2033591	Pivoting battery tray
3	HY 250247	Gray connector, 175A w/contacts
4	HY 2308308	Contacts, set of (2), 175A
5	HY 2033589	Battery disconnect handle, w/screws and nuts
6	HY 2040602	Hour meter
7	HY 2311294	Battery discharge indicator
8	HY 1361313	Unigauge, both BDI and Hour meter
9	HY 254007	Ignition switch, w/2 keys
10	HY 262798	Keys (2)
11	HY 2306115	Horn
12	HY 2033545	Battery cover knob
13	HY 2307607	Wiring harness, drive unit to control handle

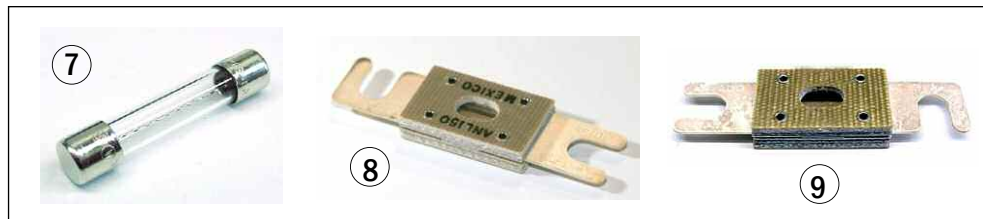
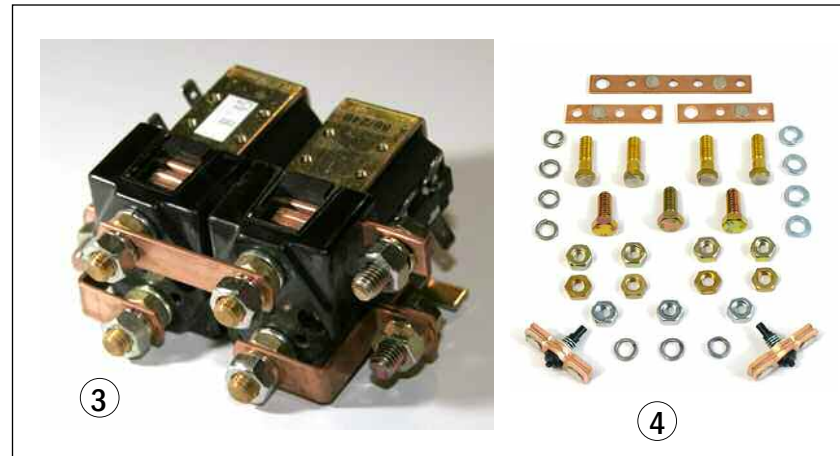
Control Panel - Resistor



Control Panel - Resistor

Item	Part No.	Description	Application
1	HY 2305835	Contactora, F/R	to S/N A218H-001916
2	HY 2305749	Contactora service kit (HY 2305835)	
3	HY 2310977	Contactora, F/R	from S/N A218H-001917
4	ALDC88-SKR	Contactora service kit (HY 2310977)	
5	HY 1374793	Fuse, 10A	

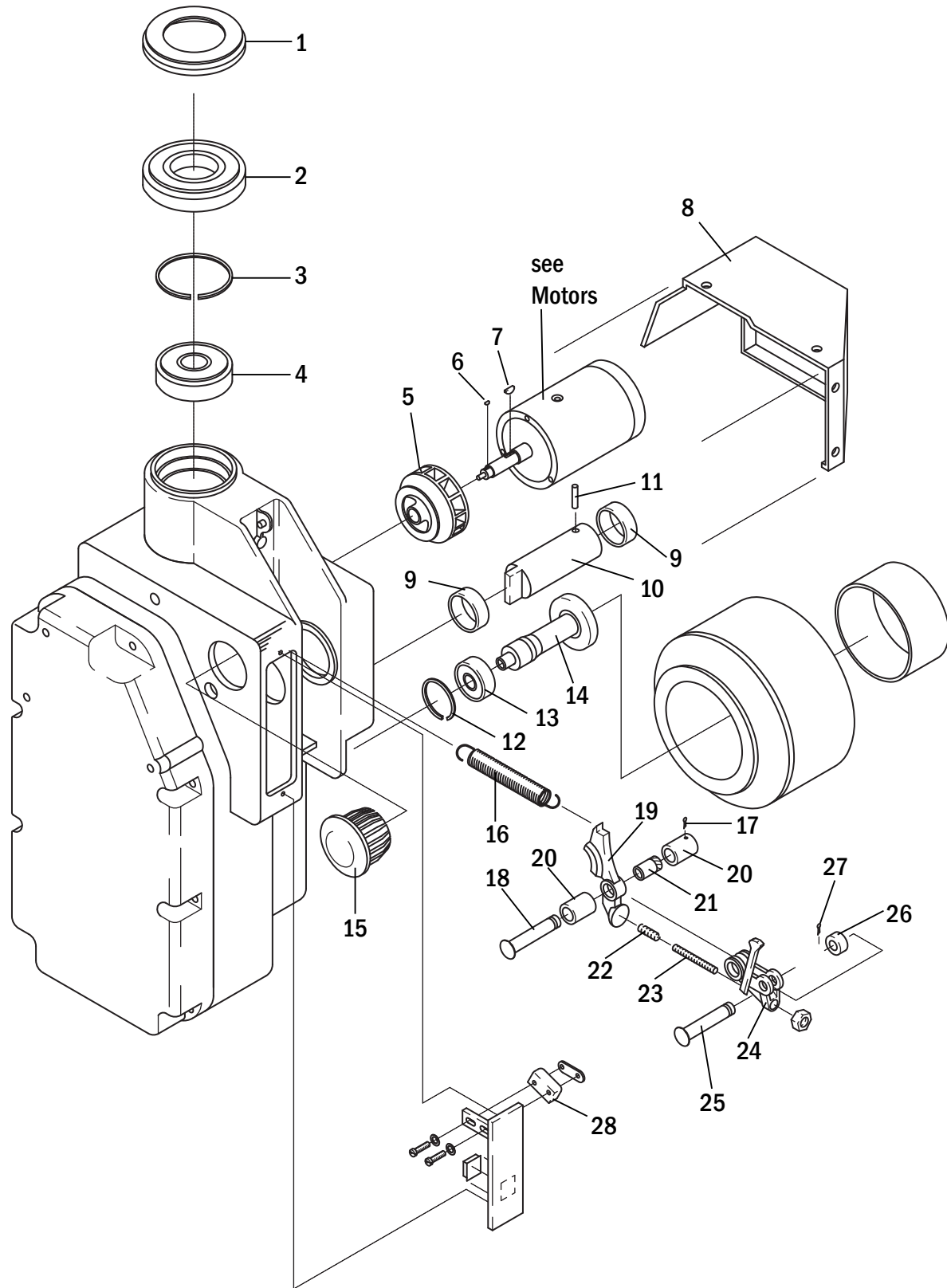
Control Panel - PMC



Control Panel - PMC

Item	Part No.	Description	Application
1	HY 231242-R	PMC motor controller, 24V	Re-manufactured
2	HY 231242-C	Core deposit	
3	HY 2307724	Contactor, F/R	to S/N A218H-02151
4	HY 2305749	Contactor service kit (HY 2307724)	
5	HY 2034462	Contactor, F/R	from S/N A218H-02152
6	HY 2305749	Contactor service kit (HY 2034462)	
7	HY 2034678	Fuse, 15A	
8	HY 354589	Fuse, 150A	
9	HY 354590	Fuse, 200A	

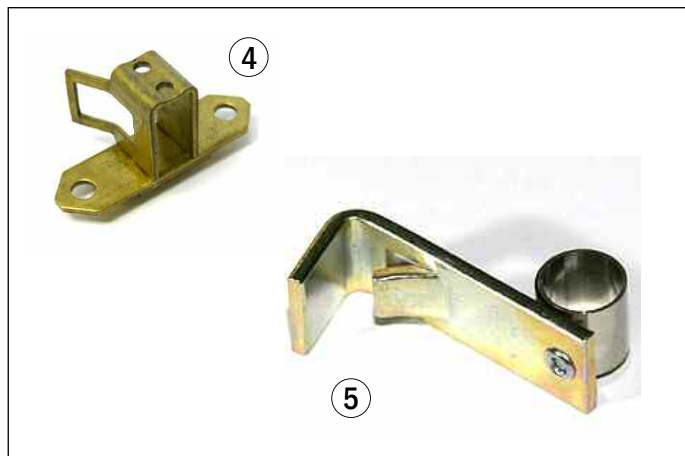
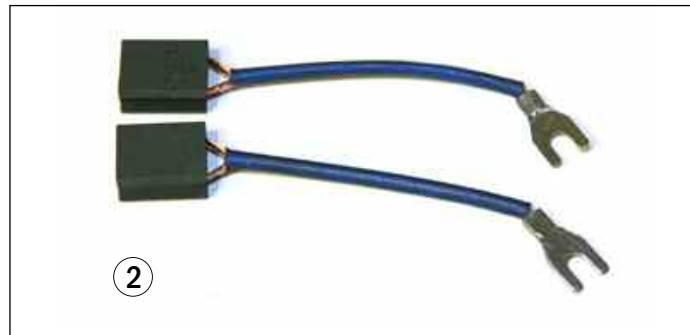
Drive Unit and Brake Assembly



Drive Unit and Brake Assembly

Item	Part No.	Description	Application
1	HY 2307702	Bearing cover	
1	HY 2309759	Bearing cover	Cold storage
2	HY 45733	Bearing cup	
2	HY 78584	Bearing cone	
3	HY 12918	Snap ring	
4	HY 45733	Bearing cup	
	HY 326307	Bearing cone	
5	HY 2309624	Brake drum	
6	HY 2310849	Woodruff key	
7	HY 32415	Woodruff key	
8	HY 2041689	Drive motor cover	
9	HY 2302128	Bushing	
10	HY 2305815	Shaft	
11	HY 2309762	Roll pin	
12	HY 58912	Snap ring	
13	HY 163971	Bearing cup	
	HY 174230	Bearing cone	
14	HY 2304321	Drive axle	
15	HY 2307952	Plug	
16	HY 2303356	Brake spring	
	HY 2311187	Brake spring	Cold storage
17	HY 2302589	Cotter pin	
18	HY 1369407	Pivot pin	
19	HY 2042725	Brake shoe	
20	HY 2311334	Bushing	
21	HY 2302396	Bushing	
22	HY 2306414	Spring	
23	HY 2305118	Screw	
24	HY 2304545	Brake cam lever	
25	HY 1369407	Rod end pin	
26	HY 1385123	Roller bearing	
27	HY 15200	Cotter pin	
28	HY 2037415	Switch	

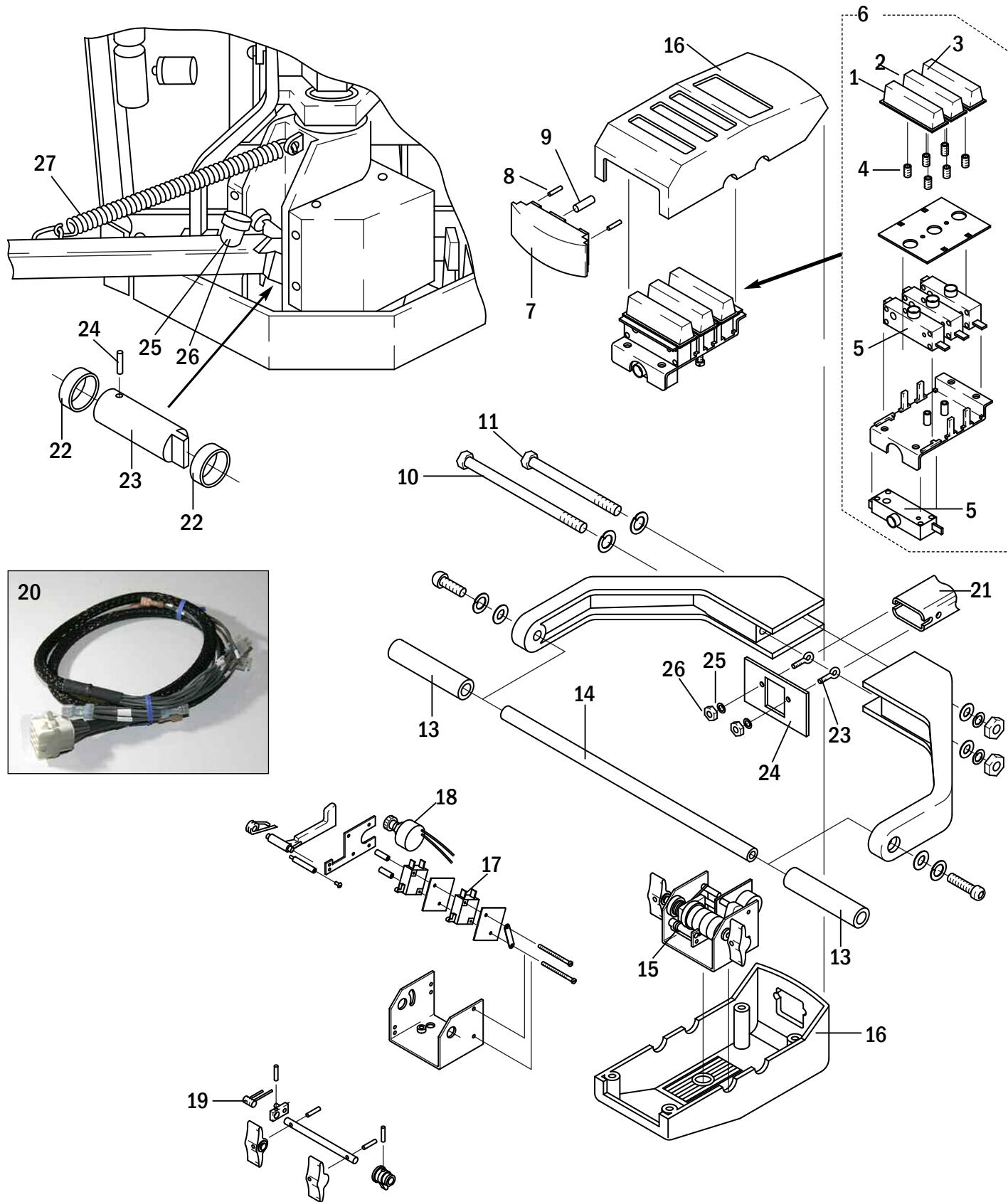
Motors



Motors

Item	Part No.	Description	Application
1	HY 2310528-AM	Drive motor	up to S/N 83444
2	HY 2302180	Brush set (2 per bag), Original drive motor	
3	HY 2302180-AM	Brush set, 4 per bag, After-market drive motor	
4	HY 2305766	Brush holder, OEM drive motor	
5	HY 2310816	Brush spring set, OEM drive motor	
6	HY 1466025-AM	Hydraulic pump motor, After-market	

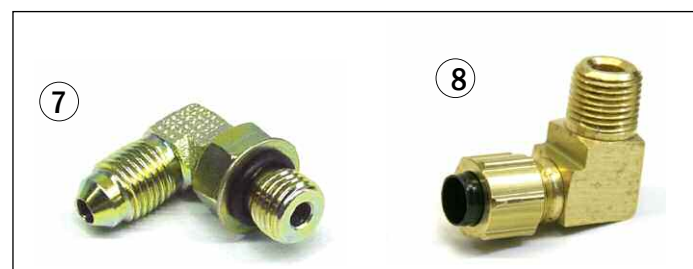
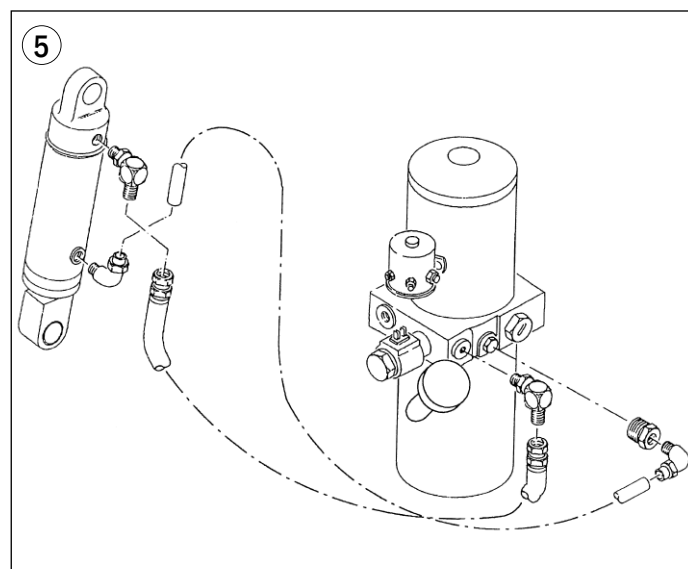
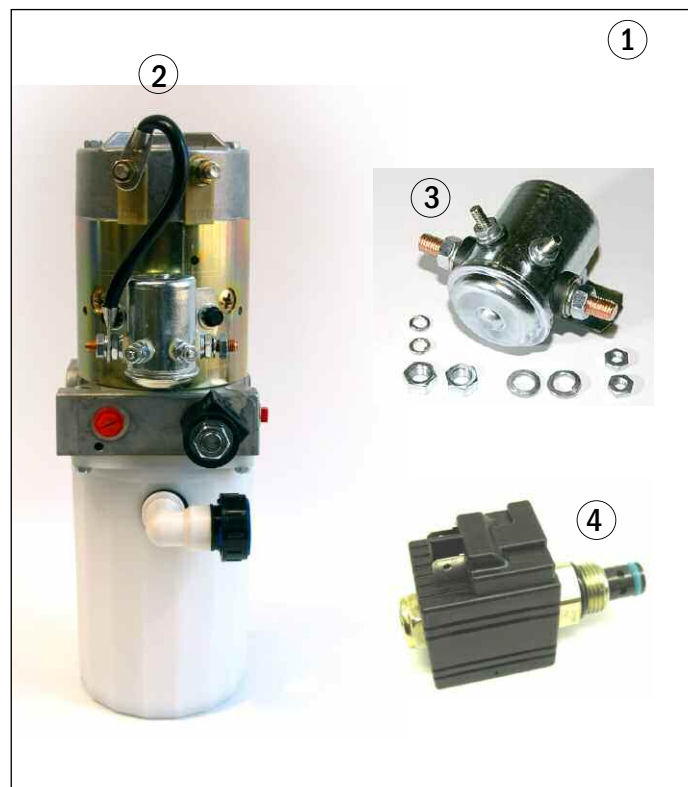
Handle Assembly - PMC



Handle Assembly - PMC

Item	Part No.	Description
1	HY 2307174	Lift button
2	HY 2305843	Horn button
3	HY 2307701	Lower button
4	HY 2307134	Spring
5	HY 1374529	Switch, Lift, Lower, Horn, Belly
6	YL 505346500	Top cover assembly, Incl. switches
7	HY 2310216	Switch actuator, Auto reverse
8	HY 2307649	Spring, Belly button cover
9	HY 2309504	Rubber stopper
10	Not used	Hex screw, 5/16" - 18" x 7 1/2" Lg.
11	Not used	Hex screw, 5/16" - 18" x 5 1/4" Lg.
12	Not used	Handle arm
13	HY 2311072	Grip
14	Not used	Shaft
15	HY 2303444	Switch assembly
16	HY 2309167	Handle head set, Upper and lower
17	HY 2309240	Micro switch
18	HY 2302033	Potentiometer
19	HY 2404329	Torsion spring
20	HY 23003862	Handle wiring harness assembly
21	HY 2308749	Steer arm weldment
22	HY 2302128	Steer arm bushing
23	HY 2305002	Steer arm pin
24	HY 2309762	Roll pin
25	HY 2302746	Rubber bumper
26	HY 2304157	Screw for rubber bumper
27	HY 2304879	Steer arm return spring

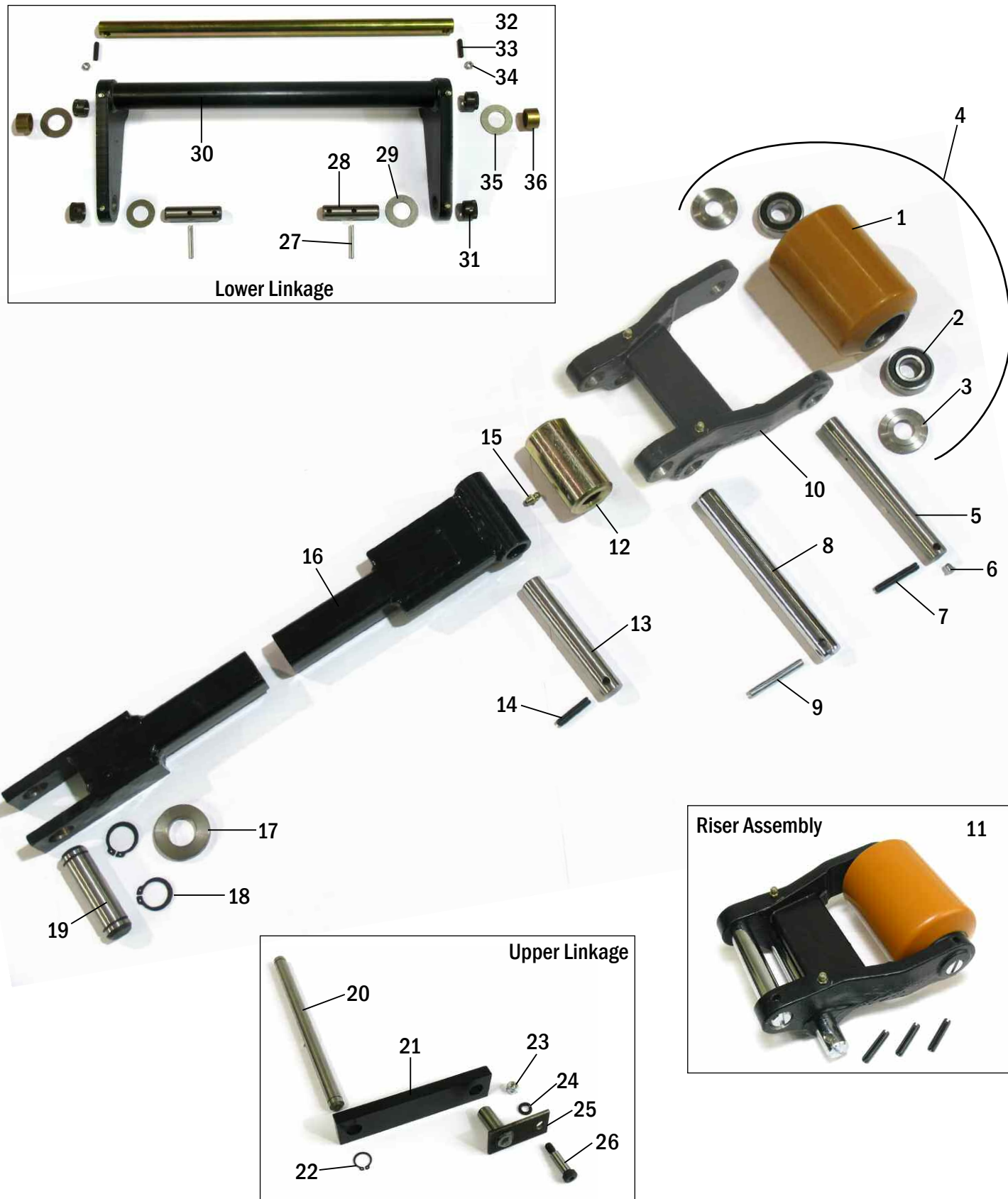
Hydraulic



Hydraulic

Item	Part No.	Description	Application
1	HY 2305764	Hydraulic Pump and motor unit	
2		see motor section	
3	HY 1322444	Lift solenoid, 24V	
4	HY 2308371	Solenoid valve, 24V	
5	HY 2311211	Lift cylinder	
6	HY 2307177	Packing kit	
7	HY 16556	Fitting	
8	HY 16987	Fitting	
9	HY 2302339	Hose	
10	HY 2306371	Tube	

Frame and Undercarriage



Frame and Undercarriage

Item	Part No.	Description	Application
1	HY 3005911	Poly load wheel, 95-A	
2	HY 124624	Bearing	
3	HY 230951	Washer	
4	HY 3005911-A	Poly load wheel assembly, w/bearings & washers, 95-A	
5	HY 3005736	Load wheel axle, w/lube fitting	
6	HY 13957	Lube fitting	
7	HY 2307242	Roll pin, Load wheel axle	
8	HY 2309397	Pivot pin	
9	HY 2307086	Roll pin	
10	HY 2302730	Riser assembly, w/lube fitting	
11	HY 2302730-A	Riser assembly, w/load wheel & axle	
12	HY 2307475	Steel roller assembly, w/bearings	
13	HY 3006808	Link pin	
14	HY 2307086	Roll pin	
15	HY 16041	Lube fitting	
16	HY 2308822	Push rod, 48" forks	
17	HY 2311881	Spacer	
18	HY 248212	Retaining ring	
19	HY 3008398	Pin, push rod	
20	HY 2304484	Pin	
21	HY 2307680	Link	
22	HY 58903	Retaining ring	
23	HY 15055	Hex washer	
24	HY 15155	Lockwasher	
25	HY 2305824	Pin	
26	HY 18497	Hex bolt	
27	HY 19913	Roll pin	
28	HY 2311661	Pin	
29	HY 2308877	Shim	
30	HY 2305862	Bellcrank, 27" wide fork	
31	HY 2307600	Bushing	
32	HY 2309006	Bellcrank pin, 27" wide fork	
33	HY 2309174	Set screw	
34	HY 15001	Nut	
35	HY 2311480	Shim	
36	HY 2310885	Bushing	



800-462-2370
Fax 800-366-5939
www.SuperStoresService.com

Hyster W 40 XL / W 40 XT

Hyster W 40 XL / W 40 XT

800-462-2370
Fax 800-366-5939
www.SuperStoresService.com





800-462-2370
Fax 800-366-5939

www.SuperStoresService.com